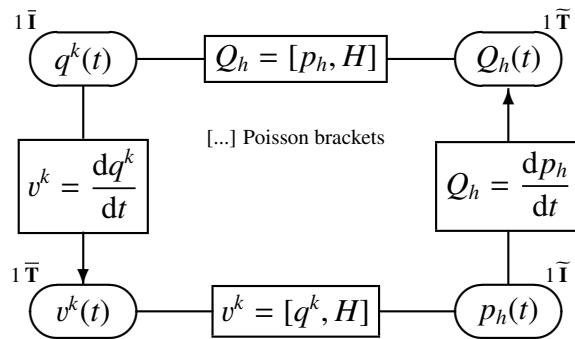


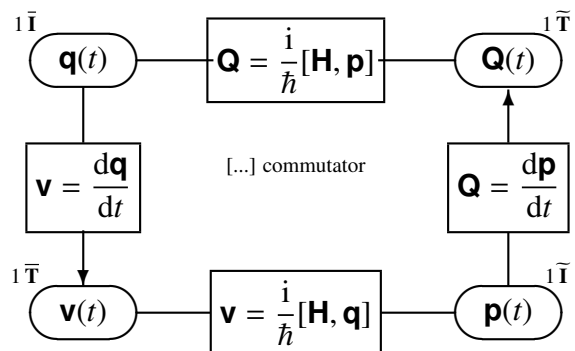
## The quantization process

### Classical mechanics



Ref: Ter Haar, *Elements of Hamiltonian Mechanics*, North Holland, 1961, p.104  
 Ref: Goldstein H., *Classical Mechanics*, Addison Wesley, 1957, p. 255

### Quantum mechanics (Heisenberg formulation)



Ref: Born M., Jordan P., *On Quantum Mechanics*, contained in *Sources of Quantum Mechanics*,  
 by B.L. Van der Waerden, North Holland, 1967