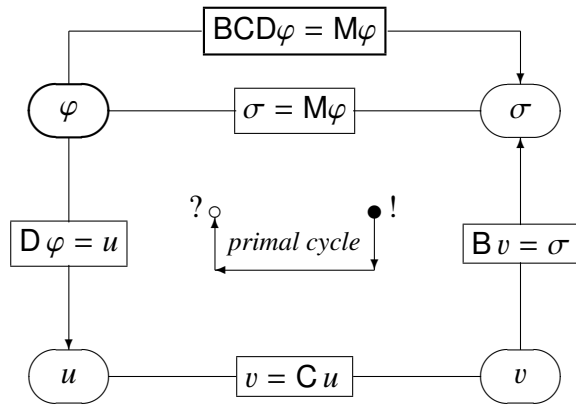
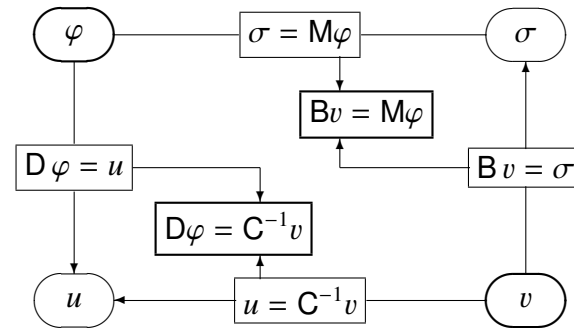


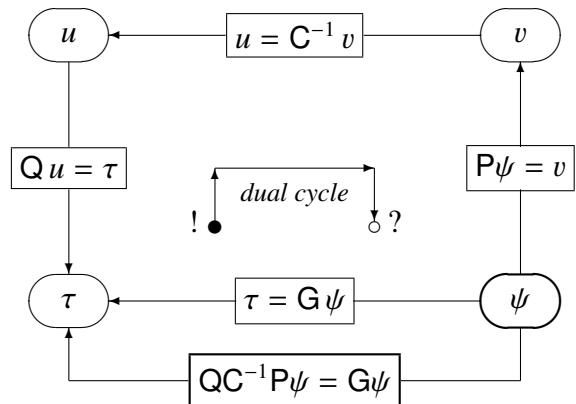
fundamental equation



canonical system



dual fundamental equation



dual canonical system

