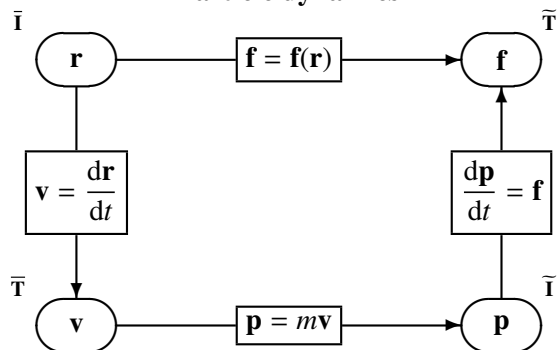
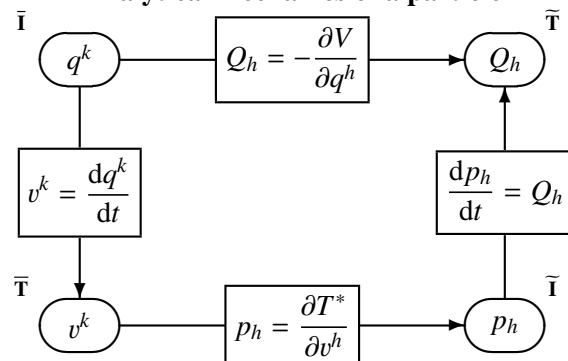


Analogies between Mechanics and Optics

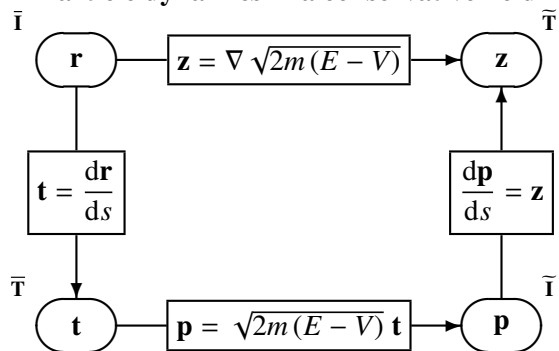
Particle dynamics



Analytical mechanics of a particle



Particle dynamics in a conservative field



Geometrical optics

